



Pacific 太平洋

使用說明書

MODEL NO : PR6108-U70 / U90

◎ Warning	P1
◎ Installation	P2
◎ Mounting method	P3
◎ Operating instructions	P4
◎ Surface Maintenance	P5
◎ Service parts identification 機型各部位名稱	P6
◎ Specifications 性能規格表	P7
◎ Wiring diagram 線路圖	P7
◎ 注意事項	P1
◎ 安裝守則	P2
◎ 安裝方法	P3
◎ 功能及操作說明	P4
◎ 清洗方法說明	P5

香港沙田大圍成運道21-23號

群力工業大廈2樓1室

UNIT 1.2/F., KINGLET IND. BUILDING

21-23 SHING WAN ROAD, TAI WAI SHATIN, HONG KONG

TEL : 2604-9777 FAX : 2607-3165

XP022492(1)



東宇實業有限公司

Dong Woo Industrial Co.,Ltd.

Warning

Important

For safety purpose, you should read the instructions carefully before using the appliance for the first time. Save the instruction for future reference.

The appliance is designed for domestic use and may only be installed and operated in accordance with these instructions for use.

**** Remove the protection film outside the hood before installation.**

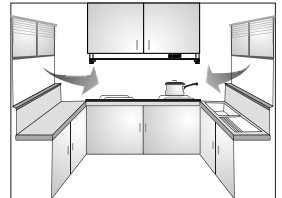
1. Please follow the instruction in this user manual.
2. Unplug the power before doing maintenance job on the hood.
3. Wear rubber gloves when doing maintenance job on the hood.
4. Do not spray the hood with water directly.
5. There shall be adequate ventilation of the room when the range hood is used at the same time as appliances burning gas or other fuels.
6. Do not burn directly under the range hood.
7. Do not share duct with other flammable gas pipes.
8. Children shall not play with the appliance.
Cleaning and user maintenance shall not be made by children without supervision.
9. There is a fire risk if cleaning is not carried out in accordance with the instructions.
10. Do not flambe under the range hood.
11. CAUTION: Accessible parts may become hot when using with cooking appliances.
12. The air must not be discharged into a flue that is used for exhausting fumes from appliances burning gas or other fuels.
13. Regulations concerning the discharge of air have to be fulfilled.
14. If the mains supply cord is damaged, do not operate the appliance, it must be replaced by the manufacturer, its service agent or qualified technicians in order to avoid a hazard.
15. The appliance is not to be used by persons (including children), with reduced physical, sensory or mental capabilities, or lack of experience and knowledge, unless they have been given supervision or instruction.
16. Disconnect the power supply before cleaning, repairing, replacing light bulb or disassembling the hood.
17. The appliance should be positioned 65 to 75 cm above the cooking range.
18. The hood must be earthed.
19. To prevent fire hazard in case of oil build-up, the turbine impellers and other easily-soiled parts must be cleaned frequently or at least twice a month.

Installation

- Packing materials (plastic bags, polystyrene, etc.) must be kept out of children's reach, as they are potentially dangerous.
- Installation must be carried out by a qualified technician.
- Check the voltage on the rating plate which should corresponds to the voltage in your home.
- Connect the power and switch on the motors and lighting system to check the operation.
- Check the following accessories before installation:
 - a. Detachable oil cup x 1 pc
 - b. Duct cover assembly x 1 set
 - c. Instruction manual 1 pc
 - d. Hardware package x 1 set
(M6 x 1" wooden screw x 4 pcs + washer x 4 pcs + 3/16" x 3/8" screw x 2 pcs + M4 x 8 screw x 2 pcs)

1. Location

- Air turbulence coming from the window(s) or door(s) may affect the effectiveness of the range hood. It helps by closing certain of them **before using the hood or during using the hood.**
- The smoke rises to 25 cm to hit the suction range of the range hood.



(FIG.1)

2. Position

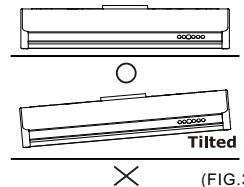
- The installation height is measured vertically from center of fan grille of hood to the top of the stove. The minimum installation height should not be less than 65 cm and there commended height is 70 ± 5 cm.



(FIG.2)

3. Keep the range hood horizontally

- Avoid left-right or front-dropped inclination.
- Avoid the oil leaking from oil cup.



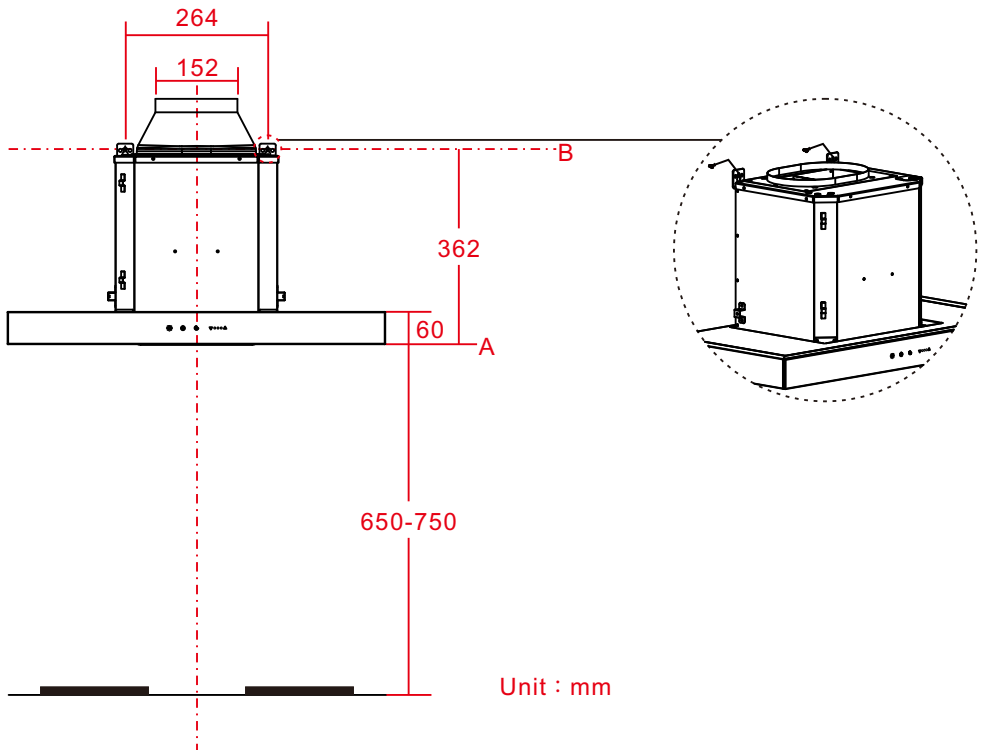
(FIG.3)

4. Exhaust duct

- 6" diameter exhaust duct is recommended to maximize performance and reduced the amount of bends also helps.
- Before installing the hood, please apply fast drying glue to the collar and securely attach it to the top of the cooker hood's vent lid. Install the cooker hood and exhaust duct to the plastic collar and seal with fast drying glue.

Mounting method

1. Measure from range top to hood bottom and mark line A. (650-750 mm minimum from range top)
2. Plum and mark center line.
3. Mark hood height line B. (362 mm from line A)
4. Mark mounting spread from C/L. (264 mm on line B)
5. Fasten (2) M6 x 1" screws into studs on line B but do not tighten all the way.
6. Remove the (2) aluminum mesh filters.
7. Hang hood onto the mounting screws and hand tighten each screw.
8. Center and attach duct cover mounting bracket to wall just below the ceiling or soffit using (2) M6 x 1" screws + (2) washers.
9. Install electrical and duct work. Seal duct work with aluminum duct tape (optional).
10. Power up hood and check for leaks around duct tape.
11. Secure bottom duct cover to hood body by (2) 3/16 x 3/8" screws.
12. Extend inner (top) duct cover upwards and secure to duct cover bracket using (2) M4 x 8 screws.
13. Reinstall mesh filters.



Operating instructions



1. Light Button

- When lights are off and " Light " button is pressed, light will turn on to the lowest intensity.
- When lights are on, and " Light " button is pressed, the light intensity will index to its next highest level.
- The lights can be operate independently.

2. Power Button

- Pressing this button will turn on the fans to the speed 2 or off the fans.

3. Delay Off Function

- When the fans on, Indexing the fan speed by pressing this button when delay-off is activated will index the fan to the speed selected, and corresponding LED will blink.
- The delay-off will continue the 5-minutes countdown.
- After 5-minutes of delay-off being activated, the hood fan will shut off and all LED indicators will turn off, but the lights will not turn off.

4. Fan Speed Level Button

- Pressing the " ▲ " button when fans is already on will index the fan to the next highest speed-corresponding LED will be illuminated.
- Pressing the " ▼ " button when fans is already on will index the fan to the low speed-corresponding LED will be illuminated.
- When the fans off, pressing the " ▲ " or " ▼ " button will turn on the fans to speed 2.

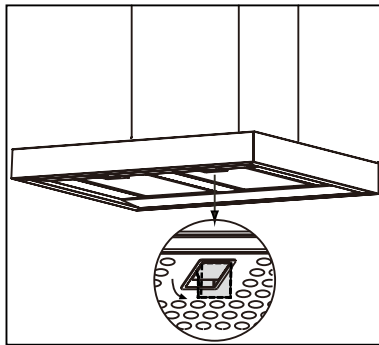
Surface Maintenance

A. Surface Maintenance

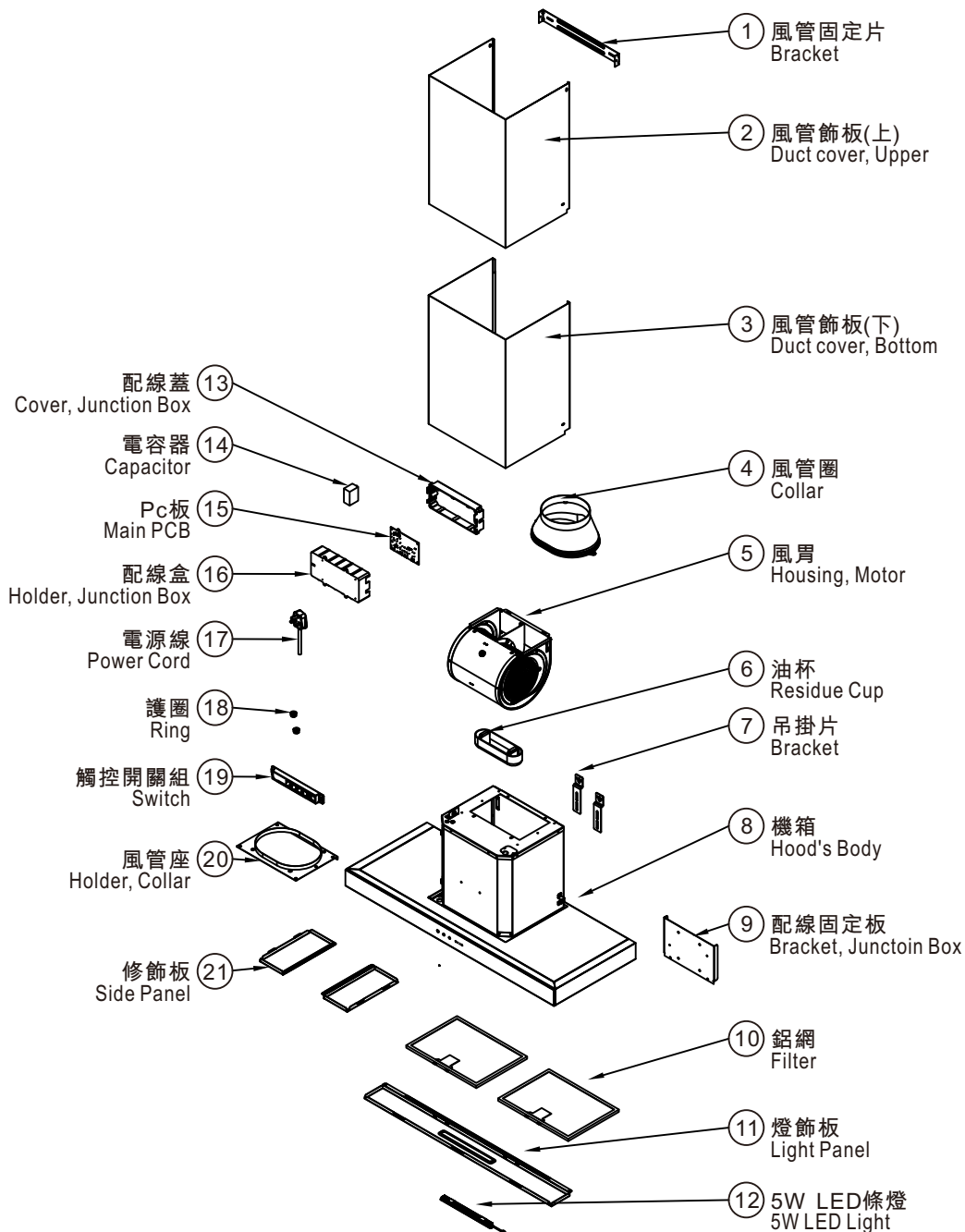
1. Please clean the range hood surface regularly with warm soapy water and wipe with a cotton cloth to prevent grease from accumulating.
2. Please do not use harsh cleansers or coarse material to clean the surface because that will damage the surface.
3. A non-invasive stainless steel polish is recommended to polish the surface after cleaning.
4. Please use soft cloth for polishing because it will make your range hood surface shinier.
5. Please do not use cleaning solutions that have bleach as an ingredient.

B. Surface Cleaning and Maintenance

1. Always disconnect from power supply before cleaning.
2. Clean both exterior and interior of the hood for long lasting. Do not use abrasive cleanser.
3. The aluminum mesh filters have an unlimited life and should be cleaned once a month by hand or in a dishwasher at low temperature and with a short cycle. Cleaning in a dishwasher may cause discoloring of the grease filter, but its filtering efficiency is unaffected.
Pull out the handle to remove the filter.
Wash the filter and leave it to dry, proceeding in reverse order to refit it.
4. The oil cup in the center of the hood for holding grease can be detached and cleaned regularly.
5. Make a habit of turning on the range hood first before turning on the stove to avoid high temperature in the kitchen.



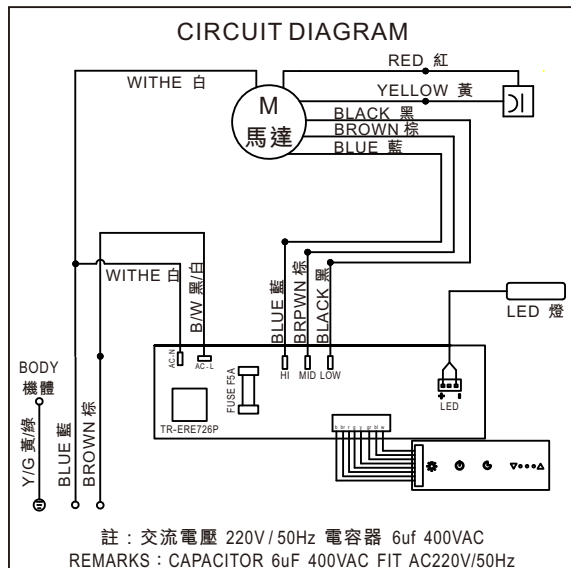
Service parts identification 機型各部位名稱



Specifications 性能規格表

Model 機 型	PR6108-U70	PR6108-U90
Net Weights 淨 重	17 Kg	18.2 Kg
Gross Weights 毛 重	22 Kg	23.8 Kg
Hood Size 機 種 尺 寸	700 x 350 x 526 mm	893 x 350 x 526 mm
Packing Size 包 裝 尺 寸	830 x 480 x 645 mm	1030 x 480 x 645 mm
Voltage 電 壓	220V 50Hz	
Rated watt 額 定 功 率	295W	
Dia outlet pipe 出 風 口 徑	6"	
Light 照 明	LED 5W (Max.)	

Wiring diagram 線路圖



注意事項

重要說明

為安全起見，初次使用產品前請先細閱本說明書，並保存本說明書，以便作參考之用。
本產品只供家居使用，請必須依照本說明書內的指示安裝及操作。

***安裝前請先撕除抽油煙機機箱外的保護膠膜。

1. 請依照本說明書內的指示安裝及操作。
2. 維修抽油煙機前，請務必切斷電源。
3. 維修抽油煙機時，請戴上橡膠手套。
4. 請勿直接噴水在抽油煙機上。
5. 當與易燃氣體一起使用時，廚房請保持良好的通風，以避免危險。
6. 不可在抽油煙機下方直接燃燒。
7. 請勿與其他易燃氣體共用排氣通道。
8. 孩童不可玩耍此抽油煙機。且不可在無人監督下操作此抽油煙機。
9. 若未依此說明書執行清潔可能產生危險或引起火災。
10. 不可在抽油煙機下方點燃酒精等易燃物品。
11. 警告：在煮食過程中，部份零配件有可能會變燙。
12. 排出的油煙不得藉由瓦斯或其他燃料之排氣通道釋出。
13. 排出的油煙程序需符合相關的排放空氣法規。
14. 若電源線損毀，請勿操作抽油煙機。必須由製造廠或總代理維修部派遣師傅或有類似資歷的認可技術人員更換以避免危險。
15. 不可使用此抽油煙機的人：生理、感官或心智能力不足（包括兒童），或缺乏相關經驗和知識。除非他們是在被監督或有其他具相關訓練的人員指導下方可使用。
16. 清潔、維修抽油煙機或更換燈膽前或卸下抽油煙機煙罩底板前請切斷電源。
17. 此抽油煙機需安裝於煮食爐上方65-75厘米處。
18. 此抽油煙機必須接地。
19. 為避免抽油煙機油污殘留產生危險或引起火災，請經常性清洗或每個月至少清洗兩次保護網、扇葉和其他容易積油的零配件。

安裝守則

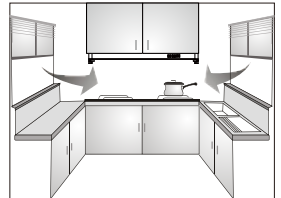
- 包裝材料(如：塑膠袋、發泡膠等)有潛在性的危險請勿讓孩童接觸。
- 請由受過專業訓練的技術人員進行安裝。
- 安裝前請確認規格線路標籤上所列示的電壓符合您家的電壓。
- 安裝前燈膽後接上電源，檢查照明、摩打及開關是否正常。
- 安裝前檢查下列附件:

- a. 油杯1個
- b. 風管飾板組1組
- c. 說明書1本
- d. 螺絲包1組

(M6 x 1"木螺釘4支、華司4片、3/16" x 3/8" 平頭十字螺絲2支、M4 x 8鐵板牙螺絲2個)

1. 周圍環境

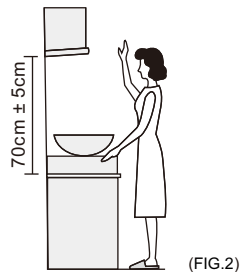
- 抽油煙機安裝位置如在窗上或附近有太多門窗，請在開動抽油煙機前先關閉門窗。
- 建議油煙上升至25厘米以上，抽油煙機始能充份發揮抽油煙效果。



(FIG.1)

2. 安裝高度和機體位置

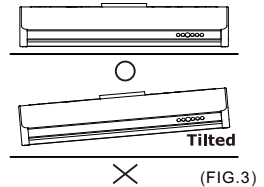
- 抽油煙機安裝高度，自本機底板至瓦斯爐面之距離以70±5厘米為最理想。
- 機體應保持左、右水平，避免油杯積油溢出。



(FIG.2)

3. 排風管

- 機體應保持前、後、左、右水平，以免氣流箱，導油盆積油而溢出。左、右水平可由掛碼調整，前、後水平則由鋼釘螺絲鎖緊牆壁以固定標準。



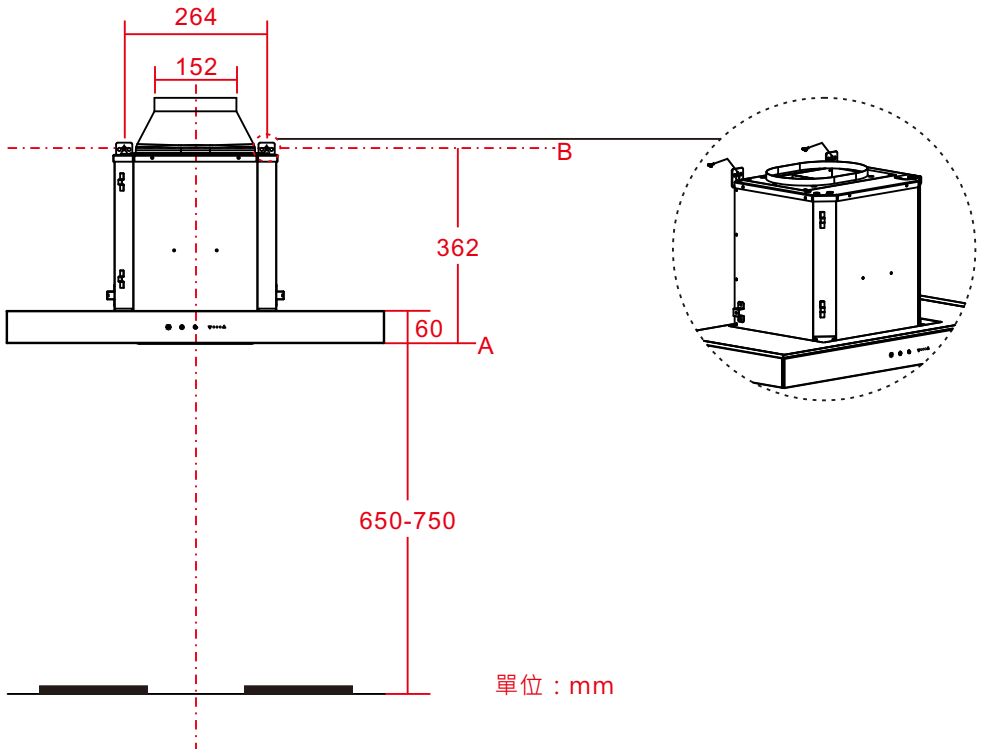
(FIG.3)

4. 排風管

- 排風管必須配合本機出風管接頭之直徑(6吋)及避免太多彎位，以免影響抽風效果。
- 安裝前先用強力膠注入風管圈後將風管嵌入，再用強力膠接合排風管與風管圈。

安裝方法

1. 完成油煙機安裝前檢查後，測量爐檯面至油煙機底部的高度650~750mm，如圖中的A線，後標記在牆上。(最少650mm)
2. 測量中間線，標記於牆上。
3. 測量A線至B線上的螺絲點，標記在牆上。(約362mm)
4. 測量B線上的兩個螺絲點，標記於牆上，(約264mm)
5. 將(2) M6 x 1" 的木螺絲固定於B線上的螺絲標記點，但先不鎖到底。(安裝吊掛用)
6. 將油煙機上濾網拆下。
7. 將油煙機掛上至先前鎖上牆的兩個螺絲上。確認油煙機已水平安裝後，將螺絲鎖緊。
8. 利用(2) M6 x 1" 木螺絲於排油煙機正上方固定風管飾板固定片。
9. 安裝電源線和風管圈。
10. 開啟電源測試，並檢查風管連接處是否有排風外洩。
11. 使用(2) 3/16 x 3/8" 螺絲，將下部風管飾板安裝至油煙機兩側。
12. 裝上風管飾板組，使用(2) M4 x 8 螺絲，將上半部風管飾板安裝至風管飾板固定片。
13. 裝回濾網。



功能及操作說明



1. 電燈鍵

- 燈關時，按壓電燈鍵，會開至最低亮度。
- 燈開時，按壓電燈鍵，會開至次段較強亮度。
- 電燈鍵可以獨立操作。





2. 電源鍵

- 按壓此鍵會啟動風扇至第二速或關閉風扇。

3. 延遲功能鍵

- 當風扇開啟時，按下延遲功能鍵會降至最低風速，可變換風速，對應的LED指示燈會閃爍。
- 延遲功能啟動計時五分鐘倒數。
- 延遲功能使用五分鐘後，風扇及所有LED指示燈皆會關閉，但照明燈不受影響。

4. 風速鍵

- 當風扇開啟時，按壓  鍵，會升至次段較強風速，對應的LED指示燈會亮起。
- 當風扇開啟時，按壓  鍵，會減至次段較弱風速，對應的LED指示燈會亮起。
- 當風扇關閉時，按壓  或  鍵，會啟動風扇至第二速。

清潔與保養

警告：電力接線方面必須由專人處理，排油煙機必須接上接地線。

接線前請務必確保電源開關已關閉。

1. 機身表面保養

- 請定期以熱肥皂水和棉布擦拭機身以防油垢堆積。
- 請勿使用腐蝕性清潔液和材質過粗的布料擦拭，以免傷害到機身表面。
- 擦拭完成後建議使用無刺激性的不鏽鋼拋光劑來進行第二次擦拭。
- 請使用軟布輕擦，您的油煙機表面將會更加光亮。
- 請勿使用含有漂白成分的清潔液。

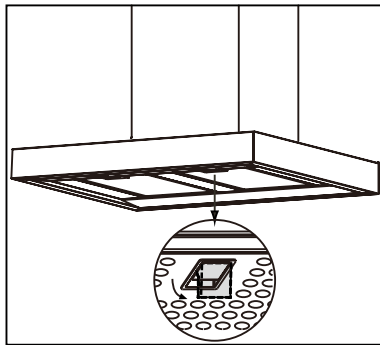
2. 保養和清潔

- 清潔前，務必要切斷電源。
- 定期清潔抽油煙機的內外側，有助延長抽油煙機的使用年期，切勿使用研磨性清潔液。
- 濾網需定期拆卸清洗，或是放置洗碗機以最低循環及低溫清洗。(建議一個月清洗一次，依煮食習慣調整清洗頻率。)

洗碗機中的清潔劑可能會導致濾網變色，但不影響濾網的過濾效果。

清潔後將濾網放置至乾燥，並重新安裝回機器即可。

- 抽油煙機中央的油杯可拆卸作定期清潔。
- 在開啟煮食爐前，請先開啟抽油煙機，以免廚房溫度太高。





抽油煙機免費保用條款

1. 本產品只供家居使用。如產品被使用於非家居環境，包括商業、工業、或其他用途，本公司均不提供免費保用。
2. 在家居環境正常使用下，自購買日起保用三（3）年。免費保用只在香港特別行政區範圍內有效。
3. 不論是否在免費保用期內，離島區用戶均需額外繳付維修人員交通費用，方能享用上門維修服務。視地區之不同而由本公司另行報價。離島區範圍包括需要坐渡輪或通過青馬大橋方能抵達的區域（東涌區除外）。
4. 任何電子組件及零件，均只保用一（1）年。
5. 本公司只就產品之效能做保用。所有消費性零件部件包括燈泡、防煙擋、油杯、外殼、扇葉保護網、燈片及其他未述及的消費性零件部件，均不保用。
6. 在免費保用期內，在正常使用的情況下，產品發生故障，本公司免費上門維修及供應零件。
7. 如果發生摩打自身燒壞，用戶可要求本公司安排更換。本公司將免費提供摩打。但如果免費保用期已滿，則用戶需支付服務人工費用。這項服務僅限於產品仍通常在家居環境中正常使用的情況下才提供。
8. 因非正常使用引起之故障，包括：使用不當、安裝不當、人為損壞、外力破壞或天災地變等，均不在免費保用範圍之內。本公司有全權判定故障是否屬於非正常使用，顧客不得異議。
9. 用戶行使免費保用時，必須先當面向本公司維修員出示購買有關產品之發票，方可享用免費保用。

Terms of Warranty for Range Hoods

1. This product is for home use only. If the product is used in non-domestic environments, including commercial, industrial, or other purposes, the Company does not provide free warranty.
2. Under normal use in the home environment, enjoy free warranty for three (3) years from the date of purchase. The free warranty is valid only within the Hong Kong Special Administrative Region.
3. Whether or not in the free warranty period, in order to enjoy home repair services, customers in the Outlying Islands Districts are required to pay additional maintenance personnel transportation costs which depends on the region and is separately quoted by the Company. The area of the outlying islands includes areas that need to be reached by ferry or through the Tsing Ma Bridge (except Tung Chung).
4. Only one (1) year free warranty for electronic components and parts.
5. The Company only guarantees the effectiveness of the product. All consumable parts including bulbs, smoke guards, oil cups, housings, fan protection screens, light panels and other consumable parts are not covered.
6. Within the free warranty period, in the case of normal use, the company shall provide free home repair services and supply parts while product failure occurs.
7. If motor self burnout occurs, customer can ask the company to arrange for replacement. The company will provide the motor free of charge, but service fee will be charged against the customer if free warranty is expired. This service is provided only if the product is usually in normal use in home environment.
8. Failure due to abnormal use, including: improper use, improper installation, man-made damage, external damage or natural disasters, etc., are not within the scope of free warranty. The Company has the sole discretion to determine whether the failure is due to abnormal use, the customer shall not object.
9. While exercising free warranty, customer must first provide the original copy of purchase invoice to the company's maintenance personnel upon their arrival to the domestic address.

此非保用證。請登入本公司網址登記免費保用

This is not a Warranty Card. Please log in our website for warranty registration

www.dongwoo-hk.com

維修部電話 Service Phone No. 23936060



東宇實業有限公司
Dong Woo Industrial Co. Ltd.

香港沙田大圍成運道21-23號 群力工業大廈2樓1室
Rm 1,2/F, Kinglet Industrial Building, 21-23 Shing Wan Road, Taiwai, Shatin, Hong Kong
TEL:2604-9777 FAX:2607-3165