

## 保用條款 WARRANTY TERMS

- 下列情況，本保用證將自動失效：  
This warranty is invalid in the following cases:
  - 產品曾被非本公司技工修理或改裝(包括電源線、插頭)。  
The product has been modified, altered and/or repaired by persons other than our company's installers. (including power cord plugs)
  - 產品曾因錯誤操作、疏忽使用、意外事件、天然災害而引致損壞。  
The product has been damaged through misuse, negligence, accident or natural calamities.
  - 因電壓不正常導致機件操作失靈。  
The product has become malfunction as caused by power interruption or abnormal voltage input.
  - 產品不按原廠提供之安裝指示。  
Fail to follow the installation instructions provided.
  - 產品機身號碼曾被轉換、塗改或除去。  
The serial number has been altered, Effaced and/or removed.
- 一切修理服務只在安全工作環境下方可提供。  
The service will only be provided under safe condition and circumstance.
- 當電磁爐驗收後玻璃面板及一切外露部分，將不包括在保用內。  
Once the induction hotplate is checked and accepted by the customers, the glass faceplate and other exposed parts are excluded in the warranty.
- 本公司將不負責任何由于爐具損壞而直接或間接招致之損失。  
The company will not be liable for any loss directly or indirectly caused from breakdown of the gas appliance.
- 本保用證只在香港有效。  
This warranty is only applicable in Hong Kong.
- 若需服務之本港離島用戶，須付本公司所訂之上門檢查費用。若機件取回維修中心檢修，用戶需自行負責將該機運抵本公司服務中心，並於修完後自行到服務中心取回。  
For outlying islands service, a service charge will be levied and in case workshop service is needed, the client will be responsible for transporting the product to and from our service centre.
- 請妥善存放此保用證，於修理時出示本證及正式購機發票予本公司技術員查驗。  
Please keep and present this warranty card together with the official purchase invoice to our technician for inspection during each service.
- 3年保用期只限家庭用途，若作任何形式的商業用途使用，其保用期為一年。  
The three-year warranty is applicable to household usage only. For any commercial purpose usage, one-year warranty will be offered.

SCAN ME  
FOR TUTORIALS

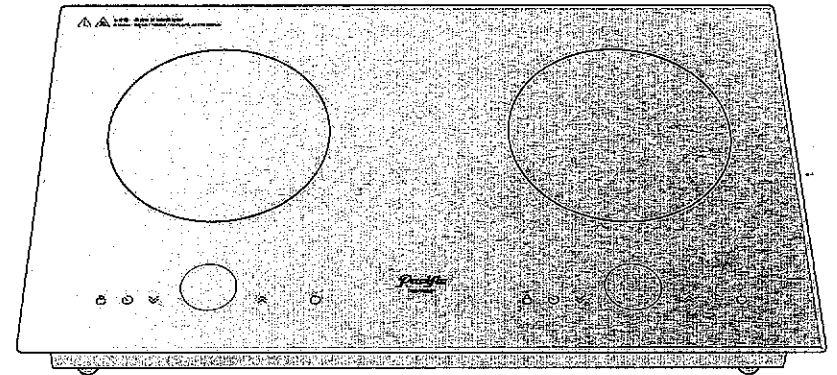


東宇實業有限公司  
Dong Woo Industrial Co., LTD.  
TEL: 26049777

# Pacific

## 使用說明書 INSTRUCTION MENU 雙頭電磁爐

能源效益等級: 1  
產品標準: IEC 60335-2-9: 2019;  
IEC 60335-1: 2010;  
EN62233:2008



PIC-W661

Thank you for choosing Pacific cooker.  
Please read the guidelines before operating the cooker for safe and efficient use.  
Always keep this user manual for future reference.

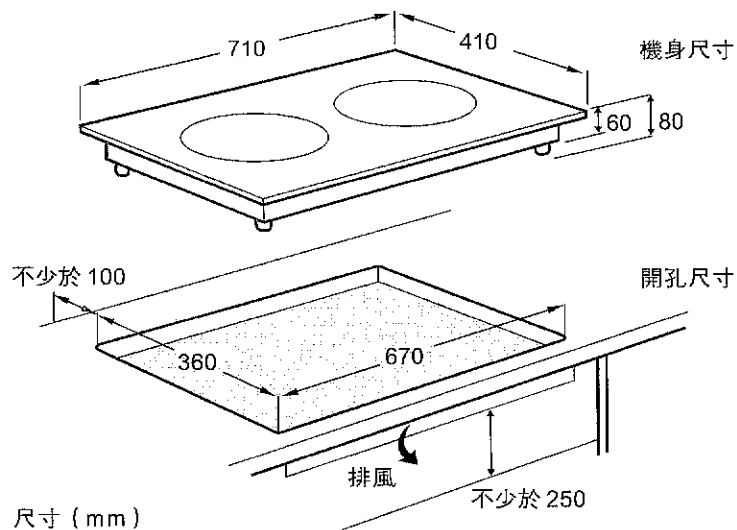
感謝您選擇太平洋炊具。為了安全高效使用，請在操作炊具之前閱讀指南。  
請始終保留本用戶手冊以備將來參考。

## 溫馨提示

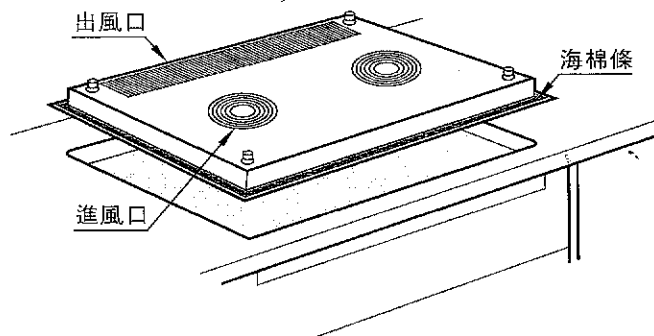
- 1、使用後，任何物件，不得放置在控制面板上，以免意外啟動造成危險。
- 2、運作時，請勿將任何物品置於爐面與鍋具的中間，以免影響加熱。使用後，請勿在爐面上放置任何物件。

## 安裝指示

爐具安裝及維修必須由政府註冊的技工進行。



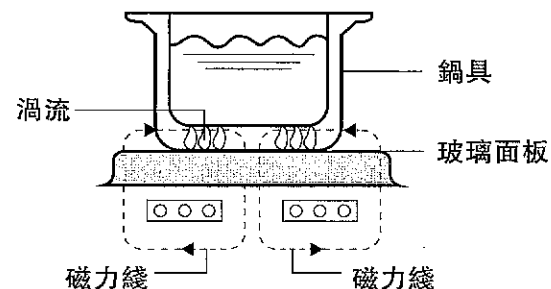
爲了讓機器能平穩的安裝在竈臺桌面上及避免灰塵粘在空隙裏，請用所提供的海棉條貼在面板邊緣下方來作密封。



爲使機器更好地工作，在機器的下方的進風口和後方的出風口請勿堵塞，預留一定的空間以作風道循環及排放產生的熱量。

## 一、工作原理

電磁爐是運用鐵質鍋體在交變磁場中感生渦電流，從而產生電流熱效應，使鍋體發熱的原理來加熱食物。



## 二、產品特性

安全——微電腦控制，多項安全保護功能，確保安全。

高效——熱效率大於90%。

方便——操作界面圖示化，簡易明了。

環保——使用過程中不產生明火，無煙氣。

衛生——耐熱、高硬微晶玻璃面板，不易碎、易清潔、不留污。

## 三、產品特點

### 安全

- 自動監測使用電壓，過壓、欠壓保護，防止過流、超溫。
- 自動監測鍋體溫度，防止過熱危險。
- 自動監測爐內溫度，防止機器燒損。
- 兩小時無人操作自動關機。
- 小物件（8cm直徑以下鐵質物體）置於爐面不加熱，防止誤燒。

### 節能

- 熱效率大於90%，省電節能，快速省時。

## 環保

- 沒有明火烹飪中常見的煙氣污染，燃氣泄漏爆炸、明火引燃等危險，防止意外事故發生。

## 微電腦調控

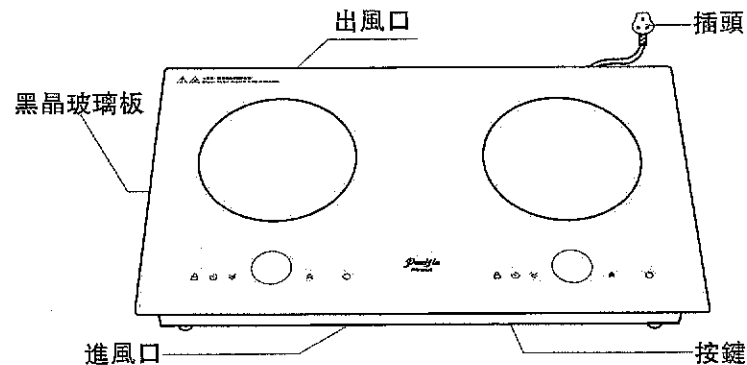
- 多種加熱火力：可調整多種加熱功率，實現不同的烹飪需要。
- 靈活定時功能：烹飪時間靈活控制，到達定時時間自動停止。
- 自動檢測報警：微電腦具有自動檢測系統，並聲光提示。

## 清潔更方便

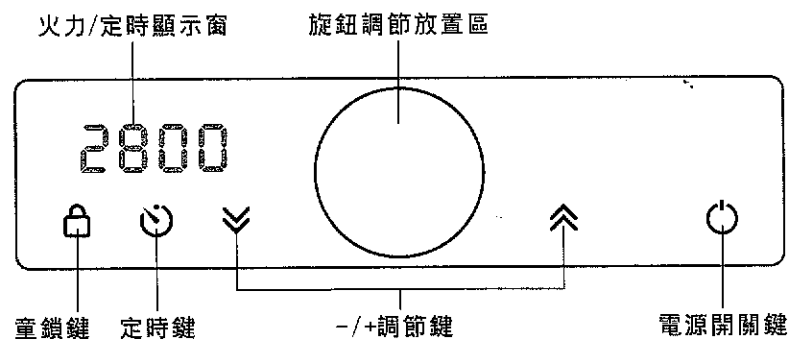
- 高強度微晶玻璃面板，易於清潔及維護，不易破損。

## 四、各部件名稱

### 產品結構圖：



### 功能鍵：



## 五、使用說明

接上電源，電磁爐“Bi”聲響，所有指示燈閃亮 1 秒後熄滅；15 秒無按鍵動作，童鎖自動上鎖，表明電磁爐處於待機狀態；可解鎖後開機工作。

	<p><b>開/關鍵</b></p> <ul style="list-style-type: none"> <li>▶ 按“”鍵啓動機器，放置合適的鍋具到煮食爐區內。</li> <li>▶ 若要關掉機器，再按一次“”鍵即可。</li> </ul>
	<p><b>功率檔的調節</b></p> <ul style="list-style-type: none"> <li>▶ 啓動機器後，按“”鍵或“”鍵選擇您需要的功率檔位。或通過</li> <li>▶ 4 位數碼管顯示屏馬上顯示您已選擇的功率值。</li> <li>▶ 功率檔分為 10 檔可調：2800、2500、2200、1900、1600、1200、900、600、300、0。</li> <li>▶ 本機左右兩邊爐區的功率共享，總功率 2800W，單邊開機最大功率為 2800W。</li> </ul>
	<p><b>定時功能：</b></p> <ul style="list-style-type: none"> <li>▶ 按“”鍵可以設定煮食的時間。最大可設定值為 3 小時 59 分鐘，最小為 1 分鐘。4 位數碼管將直接顯示設定的定時值。</li> <li>▶ 按“”鍵第一次，啓動定時設定功能，“”鍵上面的 LED 燈點亮，數碼管上的分鐘值“0:00”亮，按調節鍵“”或“”來設定分鐘值。此時也可以通過旋鈕來設定分鐘值，向左旋為向更小值選擇，向右旋為向更大值選擇。</li> <li>▶ 設置定時分鐘數值后，數值自行閃爍 2 秒，表示確認設定並且退出設置狀態。也可以通過第二次按“”鍵，快速確認設定並且退出。</li> <li>▶ 一旦定時值確定，4 位數碼管將交替顯示剩下的定時值及功率。</li> <li>▶ 定時設定的關機時間到達後，所選定的爐區將自動關機。</li> </ul>
	<p><b>安全鎖功能</b></p> <ul style="list-style-type: none"> <li>▶ 按下此鍵後，按其它按鍵均無反應（“開/關”鍵除外）。</li> <li>▶ 在工作狀態下，手動按“LOCK”鍵啓動“安全鎖”功能，LOCK 鍵上面的 LED 燈亮。</li> <li>▶ 在待機狀態下 15 秒無按鍵動作，機器將自動上鎖。</li> </ul>
<p>2 小時自動開機功能</p>	<ul style="list-style-type: none"> <li>▶ 機器在工作狀態下，如 2 小時無任何按鍵動作，機器將會自動開機。</li> </ul>

## 六、使用的器皿

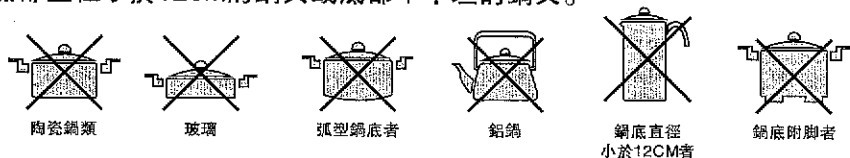
### 適合的鍋類、容器：

鐵系（琺瑯、鑄鐵、不銹鋼）材料，底部直徑12cm以上，26cm以下並且平坦的鍋具。



### 不適用的鍋類、容器：

以陶瓷、玻璃、鋁、銅為材料的鍋具；  
底部直徑小於12cm的鍋具或底部不平坦的鍋具。



## 七、使用注意事項

當您使用本產品時，特別提醒注意以下內容：

### 使用前：

- 1、切勿自行打開機體、改裝零部件或自行修理電磁爐。
- 2、在插頭、電源線損壞或電源插頭未牢固插入插座時，切勿使用電磁爐。
- 3、切勿過度彎曲、捆扎電源線或施力過度，以免導至損壞。
- 4、切勿使用包括灰塵在內的任何障礙物粘在本機插頭或電源插頭上。
- 5、請使用專用插座，插座容量不得低於13A，切勿與其它電器同時使用一個多用插座。
- 6、手濕時切勿進行接插。
- 7、切勿在受潮或靠近火焰的地方使用電磁爐。
- 8、應將電磁爐水平放置，不可緊貼牆面或物體，周邊間隙至少10CM以上。
- 9、請勿在有水噴濺的地方使用電磁爐。
- 10、本產品使用的環境溫度為“-10℃”至“40℃”。
- 11、鍋具在放置加熱區之前應將鍋具底部擦拭幹淨，以免水珠的殘留致使烹煮后在爐面上留下難以去除的水迹。

### 使用時：

- 1、切勿在兒童可觸及電磁爐或兒童能自行使用的地方使用電磁爐。
- 2、切忌空鍋加熱，以免造成危險及損壞爐具。
- 3、切勿將刀、叉、調羹、鍋蓋、鋁箔等金屬物品放置在面板上。
- 4、切勿在裝載鍋具的狀態下搬運電磁爐。  
請勿在地毯或臺布上使用電磁爐，以免阻塞吸風口和排風口，影響散熱，如確需要在地毯或臺布上使用電磁爐，請在電磁爐下面加墊硬平板。
- 5、切勿使別針、金屬絲、布碎等雜物侵入吸風口或排風口，保證吸/排風正常。
- 6、切勿碰撞微晶面板，如表面出現裂紋，應立即關掉電源，並通知本公司修理。
- 7、切勿使物品跌落在面板上。
- 8、切勿將薄鐵片直接或間接加熱的方式在電磁爐上使用，以免燒紅導至危險。
- 9、切勿將易拉罐等密封器盛裝的食品或飲料放在爐面上加熱，否則會導至密封容器內空氣受熱膨脹而造成爆炸事故。
- 10、使用中會聽到“吱、吱”聲音，是因某些鍋具的金屬材料所致，並非故障，將鍋具略作移動，該聲音便會消失。
- 11、在使用中會聽到風扇高速轉動的“嗡嗡”聲，屬正常現象。

### 使用後：

- 1、烹飪結束，鍋具產生的高溫熱量會傳至電磁爐面板，切勿立即觸摸該面板。
- 2、切勿直接用水衝洗或浸入水中刷洗電磁爐。
- 3、切勿用拉扯電源線的方法撥出插頭。
- 4、在不使用時，應撥出電源插頭，切勿讓電磁爐繼續處於通電狀態。
- 5、應保持整個電磁爐的清潔，以免蟑螂等走入機內，導致機體損壞。

## 八、清潔維護

清潔前請先關機及把電源切斷，並待電磁爐面板冷卻後進行。

**微晶面板：**請用濕抹布擦拭，也可用中性洗潔劑擦拭。

**機體、控制面板：**以柔軟的濕布擦拭，對不易擦拭的油污，可用中性洗潔劑擦拭後，再以柔軟的濕布擦拭至不留殘渣。

**進氣/排氣孔位表面：**可用棉花棒將塵埃除去，如有油漬，可用牙刷加少許不損器皿的清潔劑小心除去。

## 九、保護及故障代碼

故障代碼	說明	解決方法
E0	主板線路故障	聯繫專業的維修部
E1	鍋具不合適	放置合適的鍋具到煮食爐區
無故障代碼	鍋底IGBT溫度超高	移開鍋具，馬上關閉機器，等待數分鐘，讓機器冷卻下來直至溫度降至正常的狀態，重新開機
E3	爐面感測器故障	聯繫專業的維修部
E4	IGBT感測器故障	聯繫專業的維修部
E5	過壓(≥275)	檢查供電的電壓是否正常，待電壓恢復正常後，機器將重新工作
E6	欠壓(≤110V)	檢查供電的電壓是否正常，待電壓恢復正常後，機器將重新工作

## 十、常見故障的判斷與維修

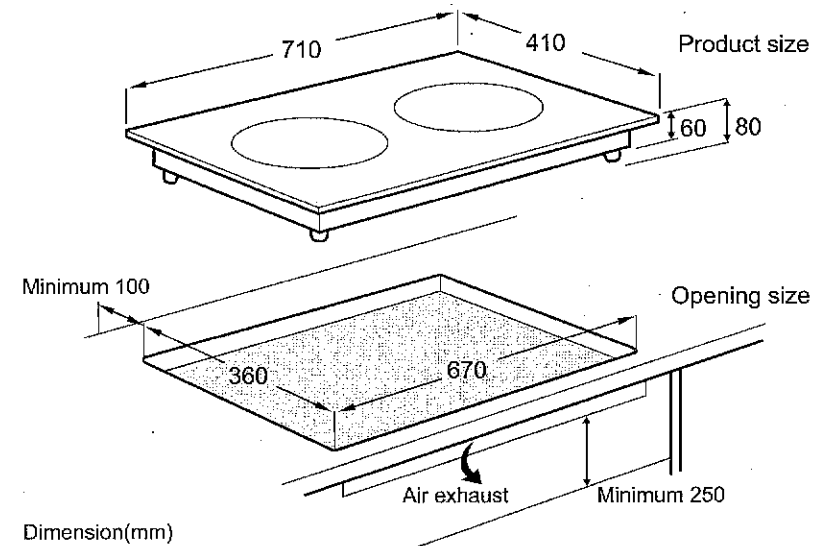
序號	常見故障	故障檢查
1	在插插頭時未聽到Bi一聲，按開關鍵指示燈不亮	①插頭是否脫落 ②是否停電
2	連續發出短促(Bi)聲警告60秒後停機	①使用的鍋具是否合適 ②鍋具是否放在微晶面板的中央部位 ③鍋底面積直徑是否大於12cm
3	使用中突然終止加熱	①四周環境的溫度是否很高 ②進氣口、排氣口是否堵塞 ③保溫狀態時，表示已達到所設定溫度 ④有時是保護裝置發生作用，等數分鐘後再確認。
4	機器在工作時，溫度無法控制	①使用的鍋具鍋底是否凹凸不平，或中心部位凹陷。 ②保溫功能指示燈是否亮

## TIPS:

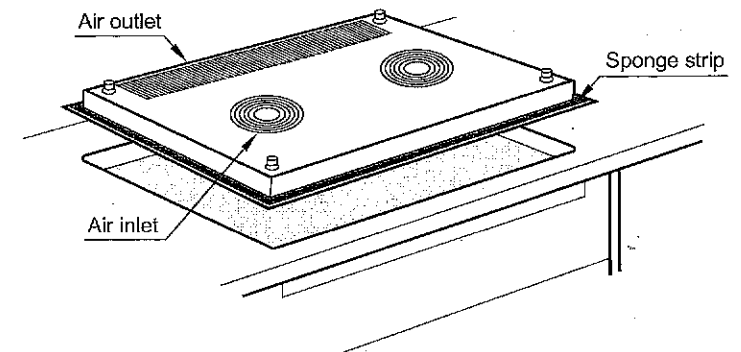
1. After using, any object can not be placed on the control panel, so as to avoid any accidental start causing danger.
2. When operating, do not put any items between the furnace surface and the pot, so as not to affect the heating. After using, please do not place any objects on the furnace surface.

## Installation procedures

Installation must be carried out by a registered contractor.



Please stick the sponge strip to the lower part of the panel edge for sealing in order to install the machine stably on the kitchen top and avoid the dust in the gap.



Do not block the air inlet in the lower part and the rear air outlet and reserve a certain space for air duct circulation and heat discharging in order to make the machine work better.

- ▶ Auto inspect the temperature inside the unit, effectively to prevent the unit to be damaged.
- ▶ The induction cooker will be auto cut down in 2 hours when without operation on it.
- ▶ The unit will not work when small size of object (size are less than 8 cm) places on the hot plate, so that it can be prevent from burning.

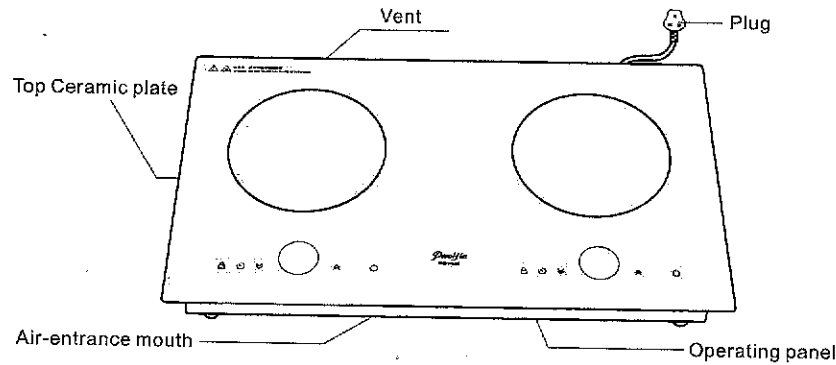
### Energy Saving:

- ▶ The thermal efficiency is large than 90%, energy saving, rapid and time saving.
- ▶ Micro-Computer controlled
- ▶ Multiple heating power level to meet the different cooking requisitions.
- ▶ With Timer function, the cooking time can be set freely, and the unit will be shut off automatically when the count down time is zero.
- ▶ With auto-inspect and warning sound system.

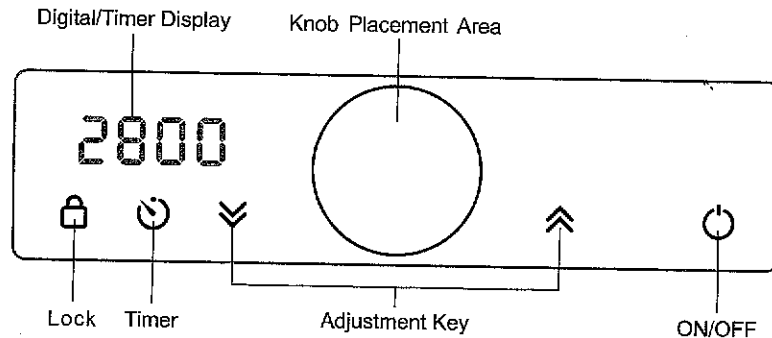
### Easy Cleaning

- ▶ With heat-proof hot plate, easy to clean and maintenance.

### Construction Drawing:







### Function keys:



### Using Method:

When connected to power source, a BEEP sound can be heard, and all the LED indicator lights would flash for 1 second. Child Lock will activate if the machine does not receive any input 15 seconds after this point, and the cooker will return to Standby mode.

	<p><b>ON/OFF Button</b></p> <ul style="list-style-type: none"> <li>▶ Press and hold the ON/OFF button to turn on the cooker, Place the suitable cookware on top of the cooking surfaces.</li> <li>▶ To switch off, just press the ON/OFF button once will do.</li> </ul>
	<p><b>Adjustment Key</b></p> <ul style="list-style-type: none"> <li>▶ Once you have switch on the cooker, press “▲” or “▼” button to select the cooking power level you desire.</li> <li>▶ Once you press the “▲” or “▼” button, its 4–digital screen will directly display the power level.</li> <li>▶ The power level can be adjusted from 2800W-2500W-2200W-1900W-1600W-1200W-900W-600W-300W-0.</li> <li>▶ The total power 2800W can be shared at both the left zone and the right zone, its max. power each zone is 2800W.</li> </ul>
	<p><b>Timer Function</b></p> <ul style="list-style-type: none"> <li>▶ Press the “⌚” key to set the time. The maximum set table value is 3 hours and 59 minutes, and the minimum is 1 minute. The 4-digit digital tube will directly display the set timing value.</li> <li>▶ Press the “⌚” key for the first time, set the function when starting, the LED light above the “⌚” key is on, and the minute value “0:00” on the digital tube is flashing, press the adjustment key “▲” or “▼” to set the minute value. At this time, the minute value can also be set by the knob, turning it to the left is to select a smaller value, and turning it to the right is to select a larger value.</li> <li>▶ After setting the timing minute value, the value will flash for 2 seconds, indicating that the setting is confirmed and the setting state is exited. You can also quickly confirm the setting and exit by pressing the “Timer” key for the second time.</li> <li>▶ Once timer has been set, the 4–digital screen will alternatively display the count–down setting time value and the power level.</li> <li>▶ Once timer has been set, the particular cooking zone will be switch off automatically once its reaches the time set.</li> </ul>
	<p><b>LOCK Button</b></p> <ul style="list-style-type: none"> <li>▶ Once this button has been pressed, all the buttons will be disabled except for the ON/OFF button.</li> <li>▶ To activate, press the “LOCK” button until the light on top of it beam. To unlock, press and hold the “LOCK” button 3 seconds until its LED indicator is off.</li> <li>▶ At the stand–by mode, if there is no any operation, the machine will be locked up automatically.</li> </ul>
<p>Auto Cut Off Function</p>	<ul style="list-style-type: none"> <li>▶ If all the buttons has not been touched for 2 hours, the whole cooker will be switch off automatically.</li> </ul>

## Using Boiler:

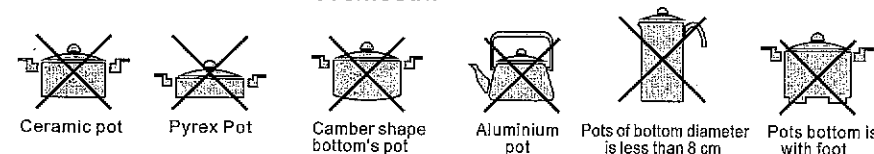
### Suitable boiler and vessel:

Stainless steel with iron material which its bottom must be smooth and the diameter is between 12~26cm.



### Unsuitable boiler and vessel:

1. Boilers are Ceramic material, Glass material, aluminum material, Copper material.
2. The boiler's diameter is smaller than 12cm.
3. The boiler's bottom is not smooth.



### Points to take note:

#### Before using:

- ▶ Do not dismantle unit and change its parts inside or repair it by yourself. Send it to authorized service centre for repair.
- ▶ Do not use this production when the plug or the cable is damaged
- ▶ To avoid any damage, do not over-bend the power cable.
- ▶ Do not leave any obstacle including the dust cling onto the plug.
- ▶ Please use a special electrical outlet which its capacity is no less than 13A, do not use a same electrical outlet.
- ▶ Do not push the plug into the electrical outlet when your hands are wet.
- ▶ Keep the machine off the heat or wet place.
- ▶ This unit must be placed on a leveled place, and keep the space at least 10 cm from the wall, lest jamming the venting and air-entrance mouth.

- ▶ Do not immerse unit in water.

At least 10cm from the wall, lest jamming the vent and the air-entrance mouth.

- ▶ Keep the machine off the water source.
- ▶ The product can be used at the environment temperature from -10°C to 40°C.

### When using:

- ▶ Do not put the product on the places where the children can touch by hand.
- ▶ Do not heat an empty pot or over-heat.
- ▶ Do not put metal substance like knife, fork, spoon, pot lid, aluminum foil, etc. onto the ceramic plate.
- ▶ Do not move the machine if there is a pot put on the machine. Do not locate the machine on the carpet or tablecloth when use it, please put a hardboard between them.
- ▶ Do not attach the pin, metal wire or cloth chip to the vent or air entrance of the machine, otherwise it will affect the ventilation effect.
- ▶ Do not strike the ceramic plate in case of crack or fissure in it, please cut off the power supply immediately and take it to our service center.
- ▶ Do not let any substance fall onto the plate with force.
- ▶ To avoid any danger, do not directly put an iron metal sheet on the surface of the top ceramic plate to heat.
- ▶ Do not heat a sealed tin directly because the air in the tin will be heated to expand and lead to explode.
- ▶ There will be a "squeak, squeak" sound during use, which is caused by the metal material of some pots, not a malfunction. Move the pot slightly, and the sound will disappear.
- ▶ When the machine is working, if you hear a low vibrating sound BUZZ, it is response from the high speed fan. It is a normal condition, do not need to worry it.

### After using:

- ▶ The high heating boiler will pass its heat to the ceramic plate, some heat will remain on the plate after the using, so do not touch it immediately to prevent from scald.
- ▶ Do not directly put the machine into the water for cleaning.
- ▶ Do not use the way by pulling the power cable to drag the plug out
- ▶ Please cut off the power by pull the plug out of the outlet if you do not want to use it.
- ▶ Often keep the machine clean to prevent from the roach going into the machine and lead the machine out of order.

### Maintenance and cleaning way

- ▶ Before maintenance, please disconnect the power cable from the outlet first, and let the plate cool down.
- ▶ Black crystallite glass dirty plate  
When the plate is dirt, please use a wet dishcloth to clean it directly or clean it first with the detergent, then use the dishcloth to clean it.
- ▶ Mainframe Body and control panel  
To clean the greasy dirt, please clean it first with neutral detergent, then clean it with soft wet dishcloth.
- ▶ Air-entrance mouth or vent.  
Use the cotton stick to clean the surface of the vent, or brush it with a little detergent to clean the greasy dirt.

### Safety Protection Equipment

Error Code	Description	Solutions
E0	Circuit Failure	Contact the service department
E1	No cookware or unsuitable cookware is being used	Place a suitable cookware on top of the cooking surface
Without code	The temperature on the cookware is too high (overheated)	Removed the cookware and switch off the cooker immediately. Please wait for a few minutes to let the temperature to reduce to normal range before turning on the cooker again.
E3	The temperature sensor is not functioning	Contact the service department.
E4	The IGBT sensor is not functioning	Contact the service department.
E5	The power voltage is higher than 275V	Check the power supply. The cooker will be functioning again should the power voltage return to the stipulated range.
E6	The power voltage is lower than 100V	Check the power supply. The cooker will be functioning again should the power voltage return to the stipulated range.

### Trouble check

If there is something wrong with operating, please check it first by yourself before service is given.

Troubleshoot	Guide points
1. When put the plug into the outlet, a BI sound could not be heard, press the POWER key, its relative indicator light is not on.	1. Is the plug fall off or not? 2. Is the re-close and fuse in your house shut off or not? 3. Is the house power cut or not?
2. The machine is shut off after 60 seconds of bi sound alarms	1. Is the boiler suitable or not? 2. Is the boiler placed on the middle of the plate or not? 3. Is the diameter of the boiler bottom larger than 12cm or not?
3. The machine sudden stop and be cut off when it is at working condition	1. Is the surrounding temp. very high or not? 2. Is the Air-entrance mouth or the vent jammed? 3. It has reached the setted temperature if the machine is at the temperature-setting condition 4. Sometimes it is the result of the protection equipment, wait for several more minutes and confirm it
4. No way to control the temp. when the machine is at working	1. Is the boiler bottom rough or the center place sunk? 2. Is the temperature-setting indicator light on or not?